



ANYWHERE EVERYWHERE



Quick Start Guide
ion4x
Access Point

Introduction

Thank you for purchasing our ion4x Access Point. ion4x is a cloud-managed 2x2:2 MU-MIMO Wi-Fi 6 certified Access Point that raises the bar for wireless performance and efficiency.

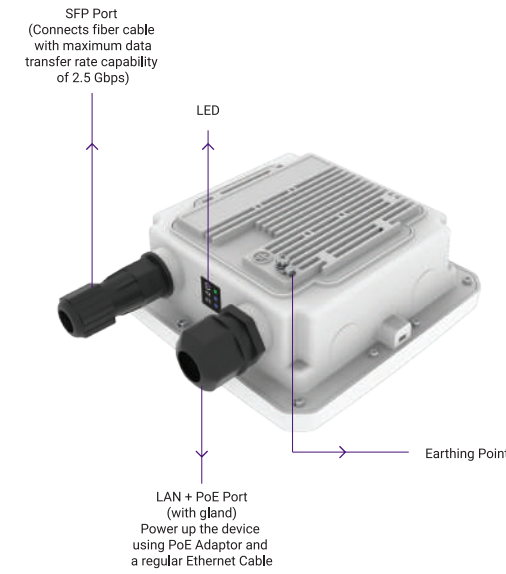
Packaging Content



ion4x Specifications

Peak Throughput(aggregate)	Up to 1.78 Gbps (1202 Mbps for 5 GHz and 574 Mbps for 2.4 GHz)
Wi-Fi Standard Support	802.11a/b/g/n/ac/ac Wave 2/ax
Interface	1 X 10/100/1000 BASE-T Ethernet 1 X 2500 Base X Optical Ethernet SFP
Radio Mode	2x2 MU-MIMO with 2 spatial streams
Mesh Support	Self-creating, Self-healing EasyMesh
Maximum number of SSID (per radio)	16
Maximum User Support	1024 clients per Access Point (512 clients per radio)
Power Supply	IEEE 802.3at PoE/PoE+
Power Consumption (Max)	17 W (approx.)
Max Transmit Power	30 dBm for 2.4 GHz , 30 dBm for 5 GHz (will depend on country-specific guidelines)
Antenna Type	Integrated directional antennas with 90° beamwidth
Antenna Gain	8 dBi for 5 GHz, 8 dBi for 2.4 GHz
Management	Standalone (via GUI) or through on-premise based solution or cloud-based
Enclosure Dimensions	182 x 182 x 89 mm or 7.17 x 7.17 x 3.5 inches
Weight	0.9 kg
Operating Temperature	-15°C to 60°C
Certifications	FCC Class A, CE, Passpoint 2.0, EasyMesh, WPA3, IP67, RoHS 3.0

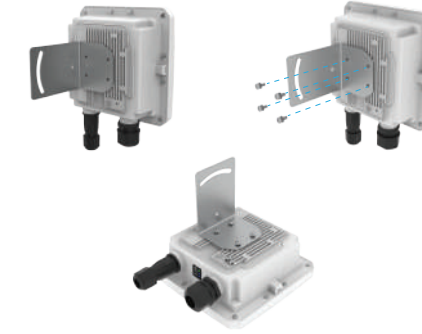
Product Overview



Mounting of ion4x Access Point

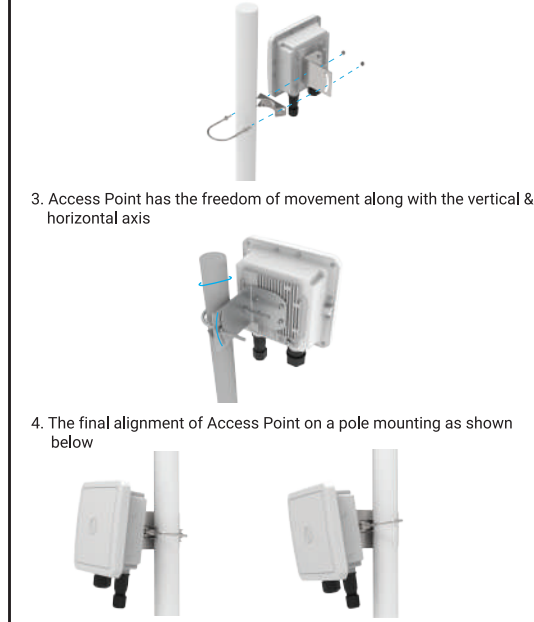
The ion4x can be mounted on a pole or to a wall. Perform the following steps for appropriate installation.

- Align L Plate with the holes at the back of Access Point
The mounting bracket is fixed onto the mounting holes on the Access Point



Pole Mount

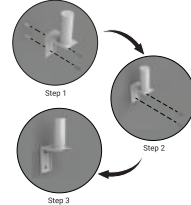
- Align the L Plate mounted Access Point with pole clamp & U-Bolt
- Pass the U-Bolt through the cuts of pole clamp & L Plate. Secure it in place with Hex Nuts.



Note: The pole mounting is designed for poles of diameter 40 mm to 60 mm. For mountings on larger size poles upto 140 mm, contact at iosales@hfcl.com

Wall Mount

To mount the ion4x on a wall, use the wall mounting bracket, drywall screws, and screw anchors (* The entire wall mounting assembly is sold separately).



- Take the reference from the wall mounting bracket and mark the position of the holes on the wall.
- Use the drill machine to drill 2 holes on respective marked positions.
- Push the screw anchors into the holes with a hammer.
- Align the drilled holes with the holes of wall mounting bracket.
- Insert the drywall screws through the holes of mounting bracket into the wall.
- Wall mounting bracket is fixed to the wall.
- Mount the device on to the wall mounting bracket as discussed in pole mounting process.

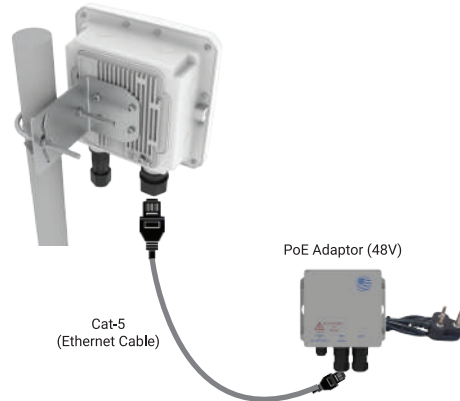


WARNING: HFCL is not held liable for any damages incurred during the process.

Getting the ion4x Online

Step 1: Power up

The Access Point can be powered up using PoE adaptor (48V) as shown below:



Note: Plug and Adaptor will vary by country/ region

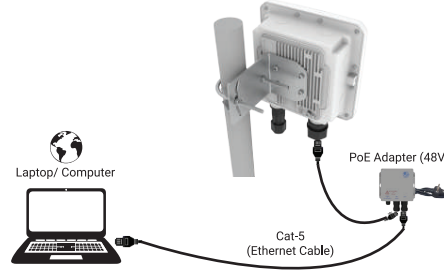
Power up using PoE Adaptor

Step 2: Connect to the network

Section 1: Standalone AP

Follow the steps mentioned below and connect the Access Point to a network :

- Connect an ethernet cable to the computer.
- Connect the other end of ethernet cable to the data port on PoE adaptor (48V)
- Connect ion4x PoE supported ethernet port to PoE adapter power port. Device will be powered on



- Configure the computer with a same domain static IP 192.168.1.X and a subnet mask of 255.255.255.0 (X is from 2 to 255)

- Open the web browser and enter the Access Point static IP address in the address bar: 192.168.1.1

- A login screen will appear.

- Enter the default login credential details:
User-root, Password- hfcl!@ion



Section 2: Controller Managed AP

Follow the steps mentioned below and connect the Access Point to a network :

- Power-up the AP through PoE adapter or PoE switch
- Connect the AP to DHCP network and Internet
- Login to HFCL IO cloud controller (cNMS) cnms.ionetworks.in with credentials provided
- Refer our website io.hfcl.com for detailed information to configure AP through cNMS

Step 3: Check the LED status



LED Color	Status
Power LED Green	Green color notifies the user that the device is powered ON
2.4 GHz Status LED	Solid blue color notifies the user that the 2.4 GHz radio is active and blinks while data is being transmitted on 2.4 GHz radio
5 GHz Status LED	Solid blue color notifies the user that the 5 GHz radio is active and blinks while data is being transmitted on 5 GHz radio

Safety Precautions

Observe the following safety precautions to avoid damage to the ion4x Access Point:

- Do not power the device during installation
- Keep away from high voltage cables
- Do not power off the unit in the middle of an upgrade process
- The gland should be ground facing all the time
- Do not open the enclosure
- Fasten the device tightly
- Make sure the earthing wire is connected properly to the earthing points

Part Number: QSG-01-0009
Revision: A



Contact Us:
Email: iosupport@hfcl.com
Website: www.hfcl.com
www.io.hfcl.com
8, Commercial Complex, Masjid Moth,
Greater Kailash-II, New Delhi- 110048